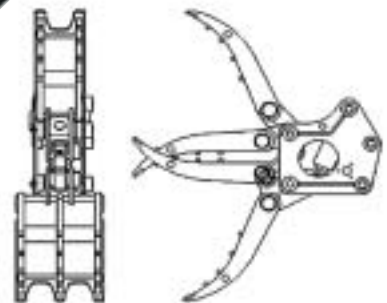


HYDRA RAM[®]

ADVANCED DEMOLITION EQUIPMENT



GRABS FOR MINI EXCAVATORS
FULL RANGE FROM 115 TO 520 KG
3 MODELS FOR CARRIERS FROM 1.5 TO 8 TONS



HYDRA RAM®

ADVANCED DEMOLITION EQUIPMENT

SPECIFICATIONS

MODEL		HMRG-15	HMRG-30	HMRG-50
WEIGHT	(kg)	115	165	245
OILFLOW	(l/pm)	15-35	20-45	30-75
PRESSURE	(bar)	210	210	210
JAW OPENING	(mm)	1080	1250	1360
TOTAL LENGTH	(mm)	850	1000	1250
LOWER ARM WIDTH	(mm)	300	350	390
EXCAVATOR	(t)	1.5 – 3.0	2.0 – 4.0	4.0 – 8.0
* All models are non rotating				



(DEALER)



HYDRA  RAM®
ADVANCED DEMOLITION EQUIPMENT

HYDRARAM b.v.
Meander 7
NL 9231DB SURHUISTERVEEN
The Netherlands

tel. +31 512-365981
fax. +31 512-365761
www.hydraram.com
info@hydraram.com

*SPECIFICATIONS IN THIS BROCHURE ARE SUBJECT TO CHANGE WITHOUT NOTICE