

HYDRA RAM[®]

ADVANCED DEMOLITION EQUIPMENT



HSB SERIES



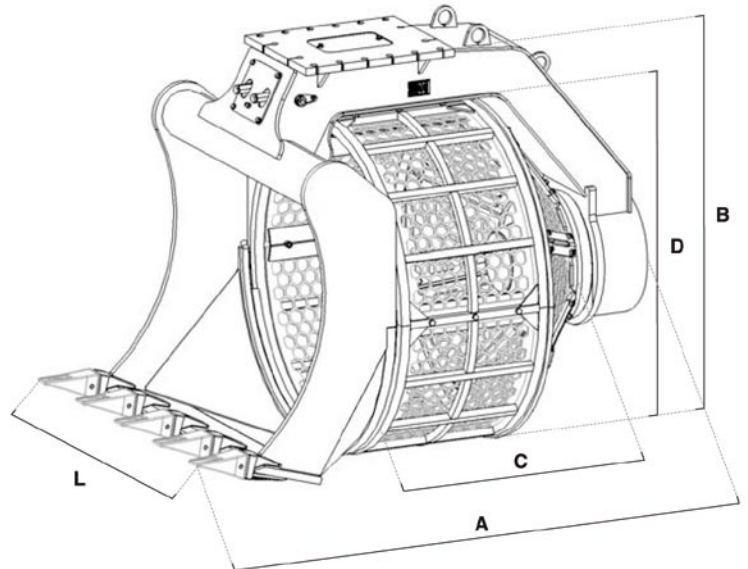
**11 MODELLE VON 250 BIS 2550KG
FÜR BAGGER VON 3 ~ 40 TONNEN**


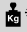





HYDRA RAM®

ADVANCED DEMOLITION EQUIPMENT

HSB SERIES



| | | HSB-300 | HSB-400 | HSB-700 | HSB-1400 | HSB-1400S | HSB-1600 | HSB-1600S | HSB-1900 | HSB-1900S | HSB-2600 | HSB-2600S |
|---|----------------|-----------|-----------|-----------|-----------|-----------|-----------|-----------|-----------|-----------|-----------|-----------|
|  ⁽¹⁾ | t. | 3:5 | 5:8 | 8:12 | 13:16 | 13:16 | 17:21 | 17:21 | 22:30 | 22:30 | 31:40 | 31:40 |
|  | kg. | 250 | 350 | 690 | 1320 | 1320 | 1570 | 1570 | 1810 | 1810 | 2550 | 2550 |
| A | mm. | 1070 | 1175 | 1480 | 1950 | 1950 | 2190 | 2190 | 2250 | 2250 | 2600 | 2600 |
| B | mm. | 805 | 930 | 1055 | 1460 | 1460 | 1650 | 1650 | 1890 | 1890 | 2000 | 2000 |
| C | mm. | 445 | 515 | 690 | 790 | 790 | 925 | 925 | 980 | 980 | 1040 | 1040 |
| D | mm. | 640 | 750 | 840 | 1170 | 1170 | 1340 | 1340 | 1560 | 1560 | 1700 | 1700 |
| L | mm. | 700 | 800 | 900 | 1200 | 1200 | 1400 | 1400 | 1600 | 1600 | 1750 | 1750 |
| Cap. SAE | m ³ | 0,2 | 0,3 | 0,4 | 0,75 | 0,75 | 0,9 | 0,9 | 1,1 | 1,1 | 1,5 | 1,5 |
|  | bar | 100 / 120 | 100 / 120 | 100 / 120 | 100 / 120 | 150 / 200 | 100 / 120 | 150 / 200 | 100 / 120 | 150 / 200 | 100 / 120 | 150 / 200 |
|  | l/min. | 30 / 50 | 30 / 50 | 50 / 70 | 80 / 100 | 100 | 80 / 100 | 100 | 80 / 100 | 100 | 80 / 100 | 100 |
|  | rpm | 18 / 24 | 18 / 24 | 18 / 24 | 18 / 24 | 35 / 40 | 18 / 24 | 35 / 40 | 18 / 24 | 35 / 40 | 18 / 24 | 35 / 40 |
| Lecköl-Leitung | | / | / | / | / | ✓ | / | ✓ | / | ✓ | / | ✓ |

(**) Die oben genannten Gewichte beinhalten nicht die Bagger Anbauplatte.
 (1) Empfohlene Bagger/Anbauteil Kombination.

(DEALER)



HYDRA  RAM®
 ADVANCED DEMOLITION EQUIPMENT

HYDRARAM b.v.
 Meander 7
 NL 9231DB SURHUISTERVEEN
 The Netherlands

tel. +31 512-365981
 fax. +31 512-365761
 www.hydraram.com
 info@hydraram.com